

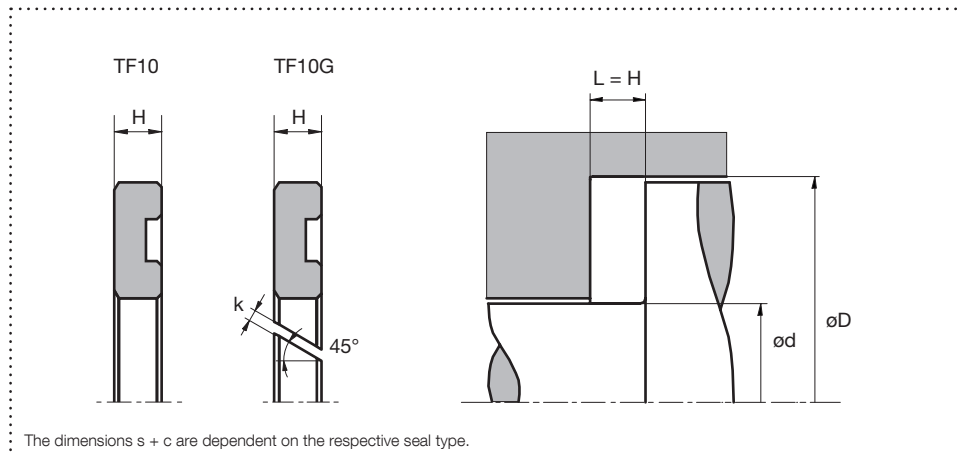


trygonal

Guide Ring TF10/TF10G

Hydraulics/Pneumatics

Housing design



Design

- Guide and spacer element for axial application
- Endless design; slotted design possible
- Application as sealing ring for pipe terminations
- Material adaptation possibilities for various applications

Application



Brightened symbols:
Seal only for limited use.
Please contact us.

Surface finish

Sealing element	PU/Elastomere		PTFE		Material portion
	Roughness	Rtmax (µm)	Ra (µm)	Rtmax (µm)	
Sliding surface	≤ 2,5	0,1 – 0,5	≤ 2	0,05 – 0,3	Ratio contact area: 50 – 95% at a cutting depth of 0.5 x Rz starting from Cref = 0%
Groove base	≤ 6,3	≤ 1,6	≤ 6,3	≤ 1,6	
Groove flanks	≤ 15	≤ 3	≤ 15	≤ 3	

Standard dimensions

Smallest nominal inside diameter $\varnothing d \geq 3\text{mm}$

This is not a standard profile and serves only as a replacement in already existing installation spaces.
If possible, standard profiles should be used..

Depending on the application, elastomers can also be used.

Material and application parameters

Sealing element	Temperature (°C)	max. sliding speed (m/s)	Surface pressure ²
PTFE glass wear	-200 – +200	4	3,0 N/mm ²
PTFE bronze wear	-200 – +200	5	4,5 N/mm ²
PTFE bronze wear 60%	-200 – +200	5	7,5 N/mm ²
POM ¹	-50 – +100	4	25 N/mm ²
PA6G ¹	-40 – +100	4	25 N/mm ²
HGW 200	-40 – +130	4	125 N/mm ²

¹ ≤ $\varnothing 280\text{mm}$: POM ; > $\varnothing 280\text{mm}$: PA6G ² depending on application temperatures and permissible compression. For detailed information see profile description.

The specified application parameters are generally valid values and must not be used simultaneously with the application.
An order can be placed by specifying the profile type, material and specified housing design dimensions.

Our applied technical advice, either oral, written or through tests is given according to our best knowledge. However, this information is to be considered as non-obligatory instruction, also in terms of any protective rights of a third party, and does not exempt you from testing our product in reference to its suitability for the intended process and purpose. Utilisation, application and processing of the products occur entirely outside of our control and are therefore exclusively your responsibility. However, should a case of liability come into question, it will be limited to all damages in the value of the product which we delivered and you used. By all means, we do warrant the impeccable quality of our products in accordance with our general sales and delivery conditions.